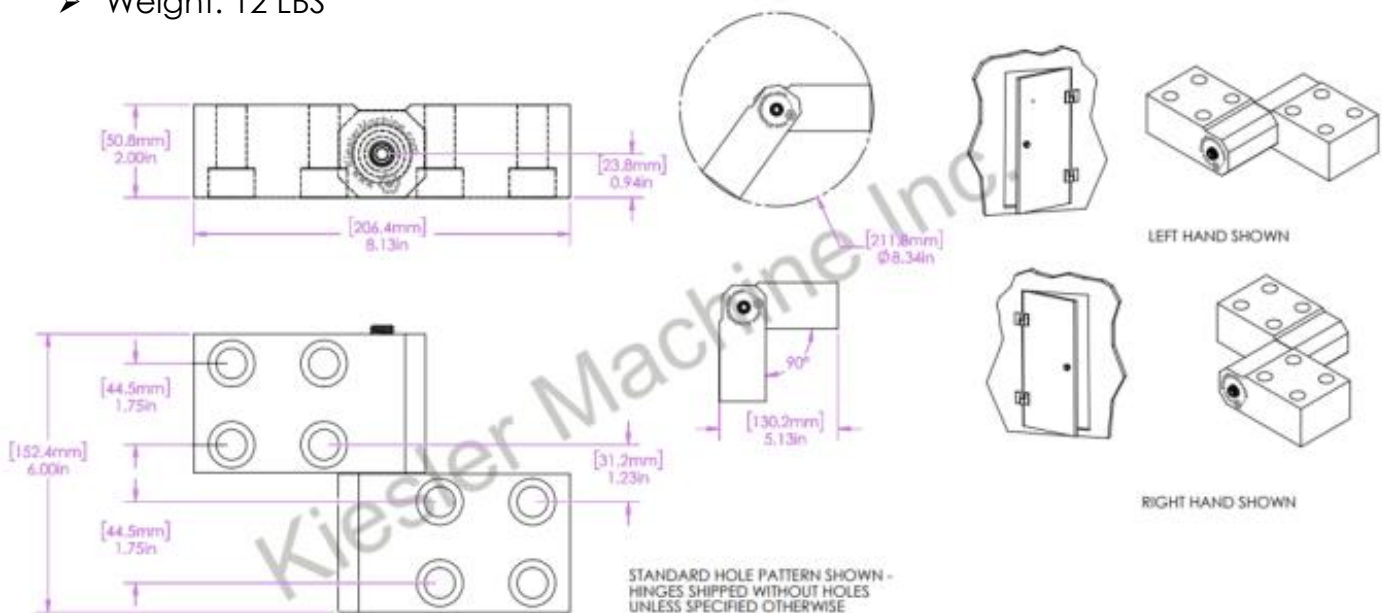


6"x 4" Model K Hinges

Model Number: 2100-K-RH-316

Price: \$ 995

- Material Type: 316L Stainless Steel
- Maximum Vertical Load: 4,000 LBS
- Maximum Radial Load: 1,630 LBS
- Approx. Width: 4"
- Height: 6"
- Leaf Thickness: 1/2"
- Weight: 12 LBS



Kiesler Machine Inc

13700 Chrissy Lane NE
Palmyra, IN. 47164-8768

Contact Info :

info@kieslermachine.com
Toll-Free : 888-565-6610
Phone : 812-364-6610



Smoother Than The Rest
Guaranteed!

Data Provided For Reference Only.